

## → Application

- simple heliports with container module

## → Basic Equipment

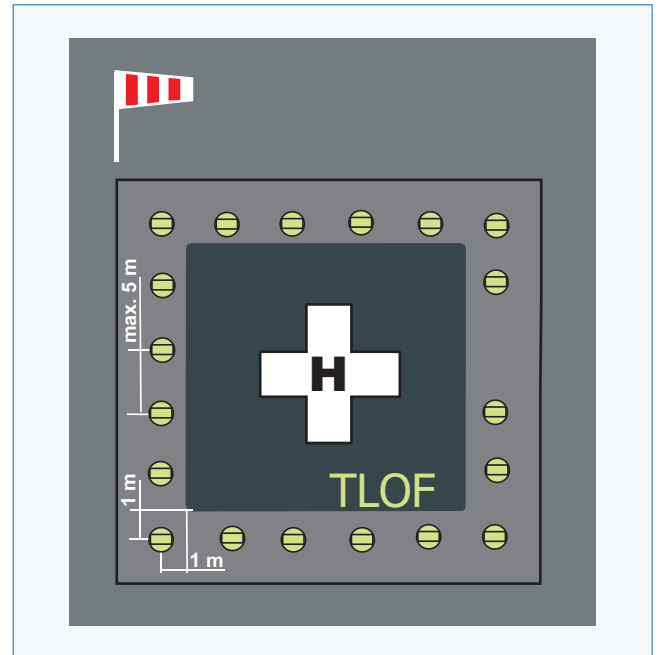
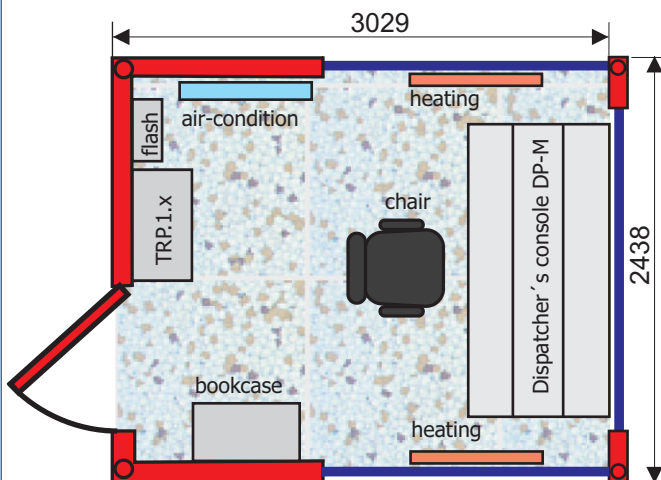
- lights ML 121 HP TLOF
- distributor for parallel power supply TRP.1x
- local control
- cables and connectors
- wind cone with obstruction light TWI 10
- container module TCH.2.xExx
- dispatcher's console DP-M
- air-condition

## → Options

- living module
- meteorological station
- flash beacon
- remote control, transceiver

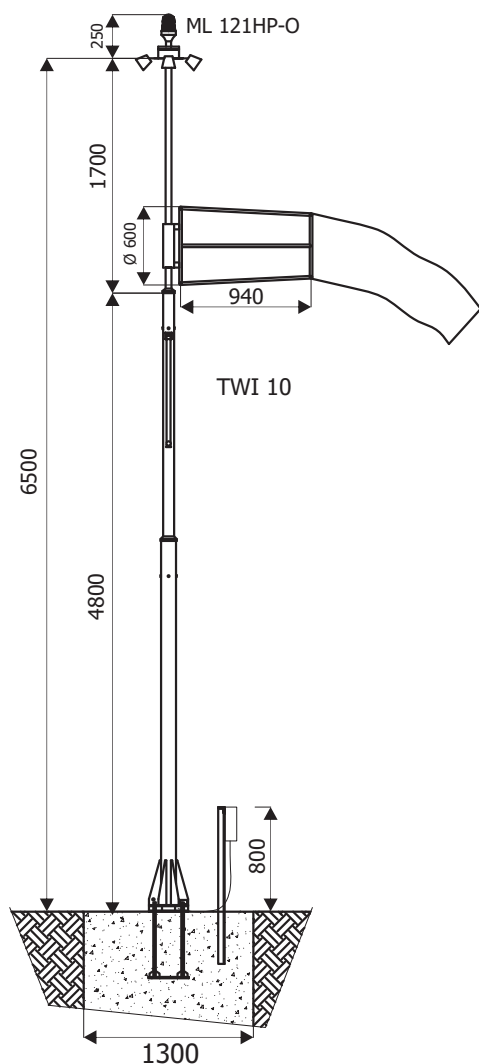
## → Dimensions and technical parameters

- special welded structure resistant to corrosion
- wide range of working temperatures -50/+50°C
- external dimensions 3029×2438×2591 mm



chapter:

# 9.5.2 H2 (ECONOMY)



Dispatcher's console DP-M

