

H3 (STANDARD) 9.5.3

Application

- standard heliports with container module with diesel generator set

Basic Equipment

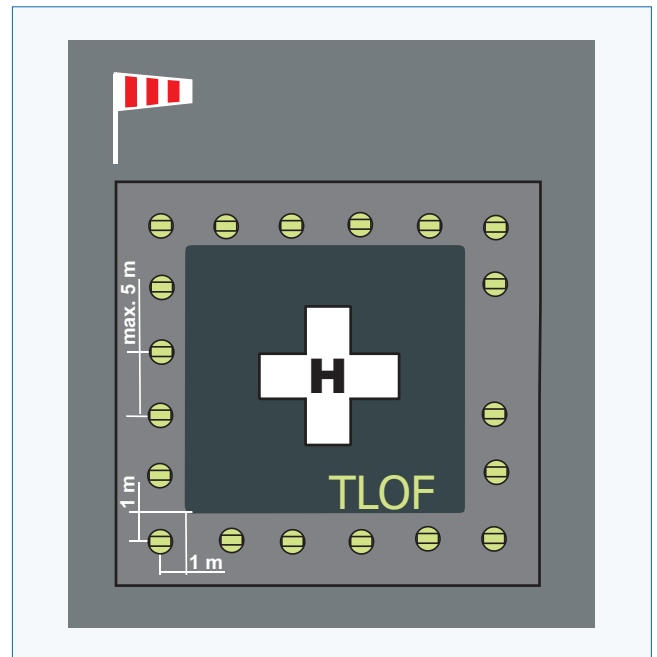
- lights ML 121HP TLOF
- flash beacon
- distributor for parallel power supply TRP.1x
- local control, transceiver, cables and connectors
- wind cone with obstruction light TWI 10
- dispatcher's console DP-M
- container module TCH
- air-condition, kitchenette
- diesel generator set (low power)

Option

- remote control
- living module
- meteorological station
- telephone
- NDB
- voice recording

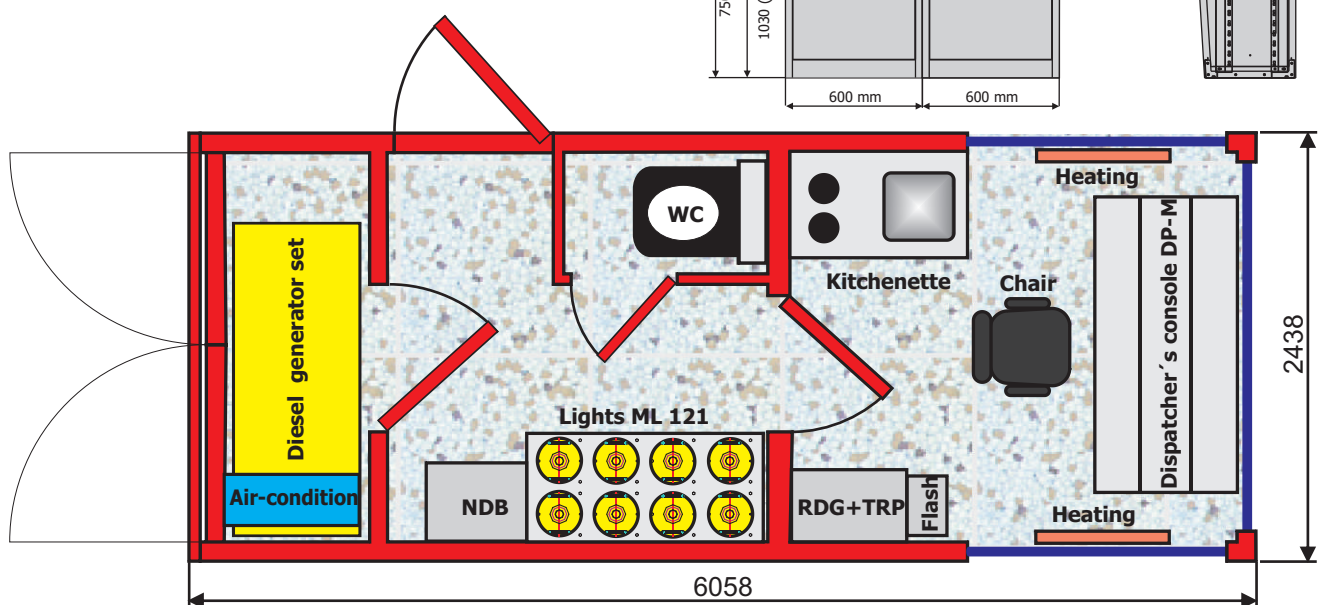
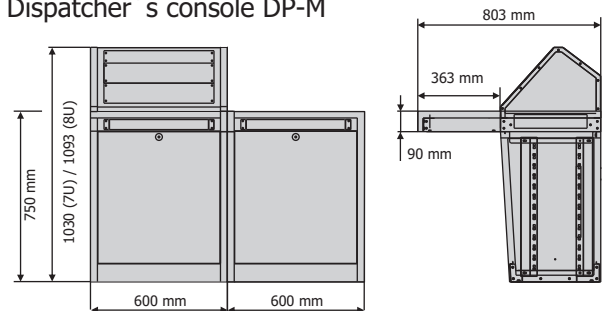
Dimensions and technical parameters

- normalised ISO containers 20' (6 m)
- special welded structure resistant to corrosion
- wide range of working temperatures -50/+55°C
- external dimensions 6050×2438×2591 mm



ML 124-TLOF

Dispatcher's console DP-M



chapter:

9.5.4 H4 (COMFORT)



Application

- comfortable autonomous heliports with full equipment and container module with diesel generator set

Basic Equipment

- lights ML 121 H APP, TLOF, FATO, TWY, APAPI
- flash beacon
- constant current regulator
- local and remote control
- transceiver, cables and connectors
- wind cone with obstruction light TWI 10
- dispatcher's console DP-M
- container module TCH
- air-condition, kitchenette
- diesel generator set

Option

- living module
- meteorological station
- telephone
- NDB
- voice recording

Dimensions and technical parameters

- normalised ISO containers 20' (6 m)
- special welded structure resistant to corrosion
- wide range of working temperatures -50/+55°C
- external dimensions 6050×2438×2591 mm

Dispatcher's console DP-M

