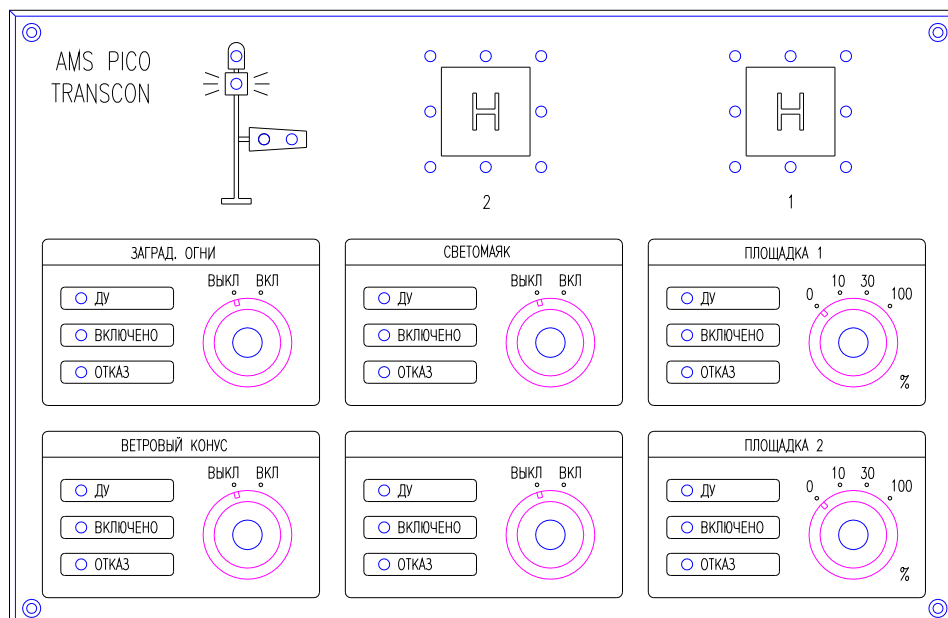
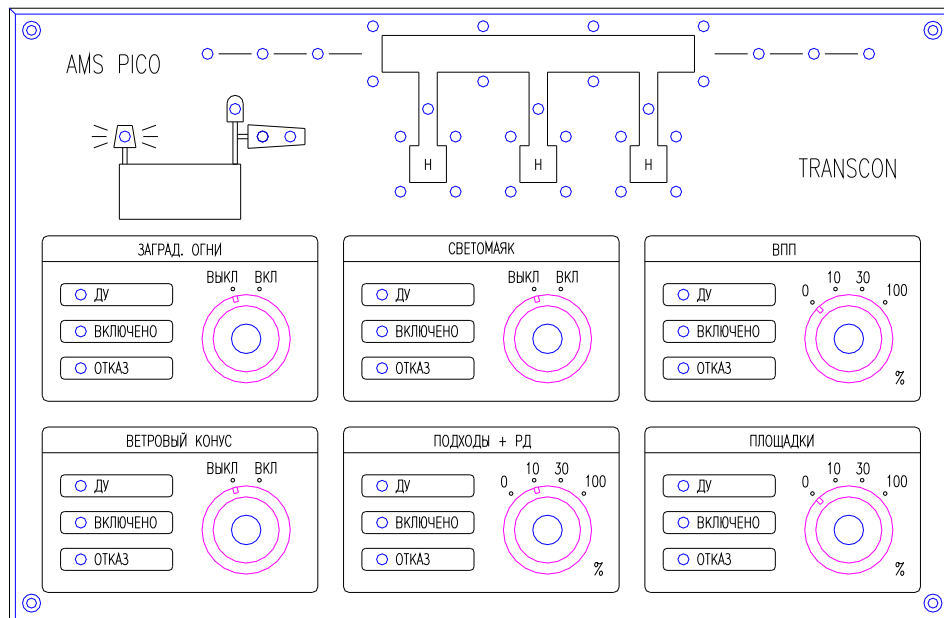


Application

- freestanding or built-in panel
- simple and well arranged control with use of rotary switches
- signalling by color LED diodes
- acoustic alerting
- one or two working sites
- communication over long-distance optical and metallic cables
- highly durable transmission system allows the use of very old and existing communication cables



chapter:

9.1.1

AMS PICO



This page is intentionally left blank.