

→ Application

- omnidirectional elevated low intensity LED light suitable for unserviceability light

→ In accordance with

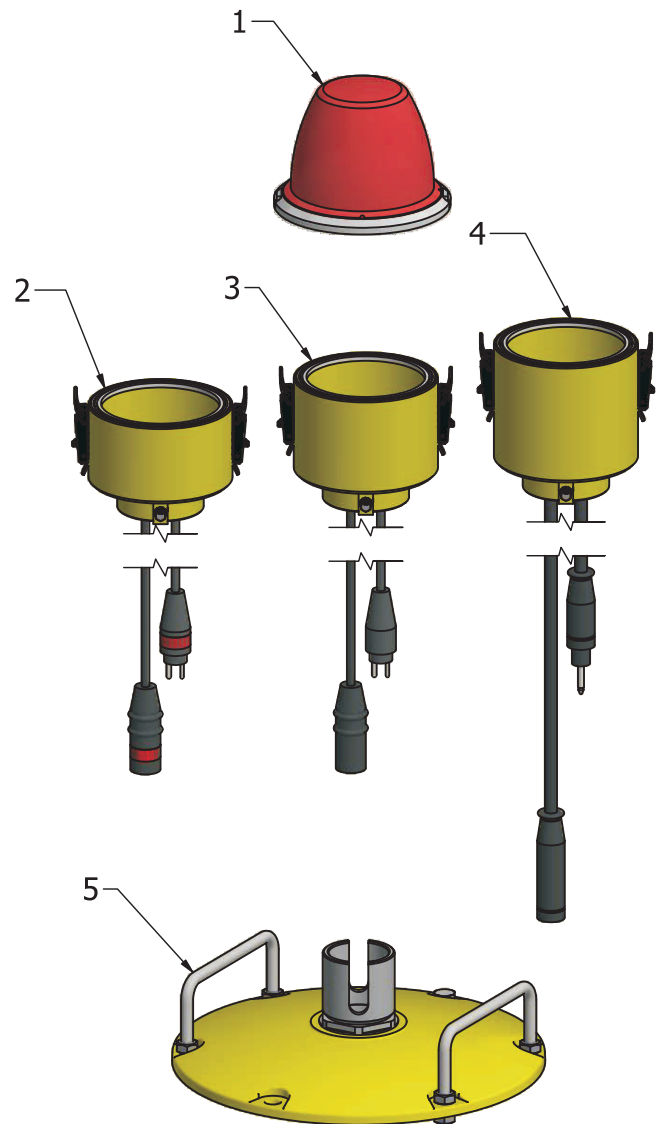
- ICAO Annex 14, Vol. 1, 7.4.4
- EASA CS-ADR-DSN.R.870

→ Description/Properties

- modular design with universal light head and three base types for three power options
- robust all-metal construction and glass diopter securing high durability
- high degree of protection IP 67
- wide range of power supply
- when powered from the aeronautical series circuit it enables connection directly to the primary circuit (isolation transformer is integrated into the body of the light)
- easily replaceable glass dioptre
- very low power consumption and long lamp life span thanks to the use of LEDs
- on a base plate with handles for easy and quick installation to the desired location

→ Construction

- 1 diopter universal light heads with annular ring
- 2 base lights ML125.2-UL-R-6/DC
- 3 base lights ML125.2-UL-R-12/P
- 4 base lights ML125.2-UL-R-12
- 5 base plate with handles



chapter:

5.3.1

ML125.2-UL



→ Power supply

- ML125.2-UL-R-6/DC (external battery power)
 - input voltage 9-30 VDC (constant shine over the whole range)
 - power 6 VA
- ML125.2-UL-R-12/P (low voltage network)
 - input voltage 93-264 VAC / 47-63 Hz (constant shine over the whole range)
 - power 12 VA
 - protection Class II
- ML125.2-UL-R-12 (AGL series circuit)
 - input current 2,8-6,6 A / 50-60 Hz (constant shine over the whole range)
 - power 12 VA

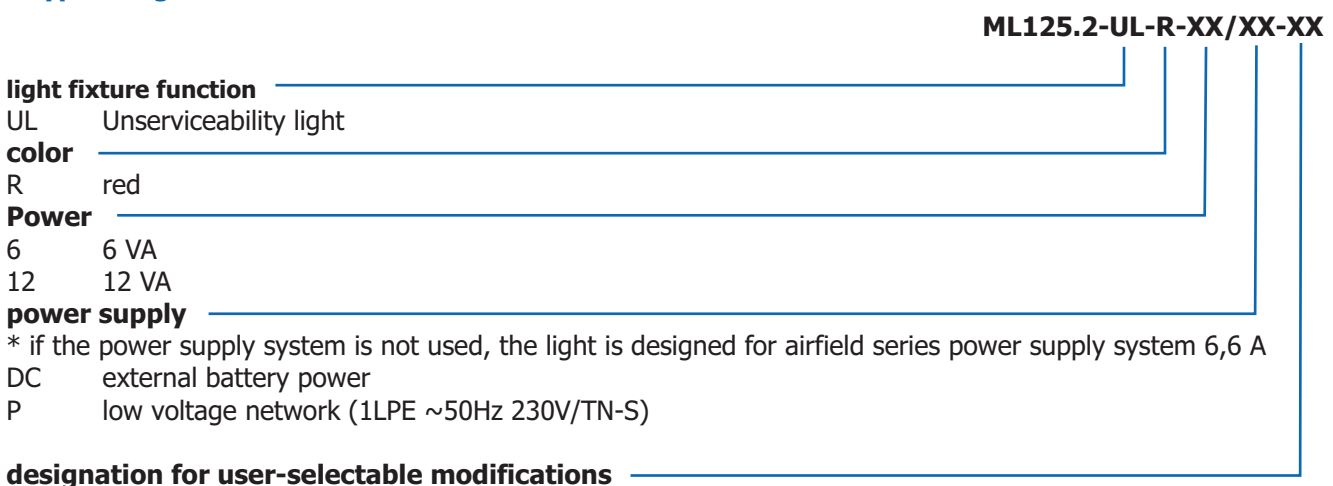
→ Connection method

- ML125.2-UL-R-6/DC a ML 125.2-UL-R-12/P
 - 2 connection cables with connector (1 on request)
- ML125.2-UL-R-12
 - 2 connection cables with standard connectors FAA L-823 style 2 and 9

→ Parameters

- dimension ML125.2-UL-R-6/DC
 - without base plate 145×180×145 mm
 - with base plate 310×270×310 mm
- dimension ML125.2-UL-R-12/P
 - without base plate 145×200×145 mm
 - with base plate 310×290×310 mm
- dimension ML125.2-UL-R-12
 - without base plate 145×220×145 mm
 - with base plate 310×310×310 mm
- weight
 - ML125.2-UL-R-6/DC 1,8 kg
 - ML125.2-UL-R-12/P 2,3 kg
 - ML125.2-UL-R-12 3,7 kg
 - base plate 2,5 kg
- protection IP 67
- working temperature -40 to +55 °C
- moisture protection up to 95% at +55°C
- wind resistance up to 100 km/h

→ Type designation



type	application
ML125.2-UL-R-6/DC	complete light with base plate (external battery power)
ML125.2-UL-R-12/P	complete light with base plate (low voltage network)
ML125.2-UL-R-12	complete light with base plate (6,6 A AGL series circuit)