

→Application

- halogen obstruction lights with integrated isolating transformer low intensity for lighting of obstacles up to the height of 45 m above the ground level

→Certificate basis

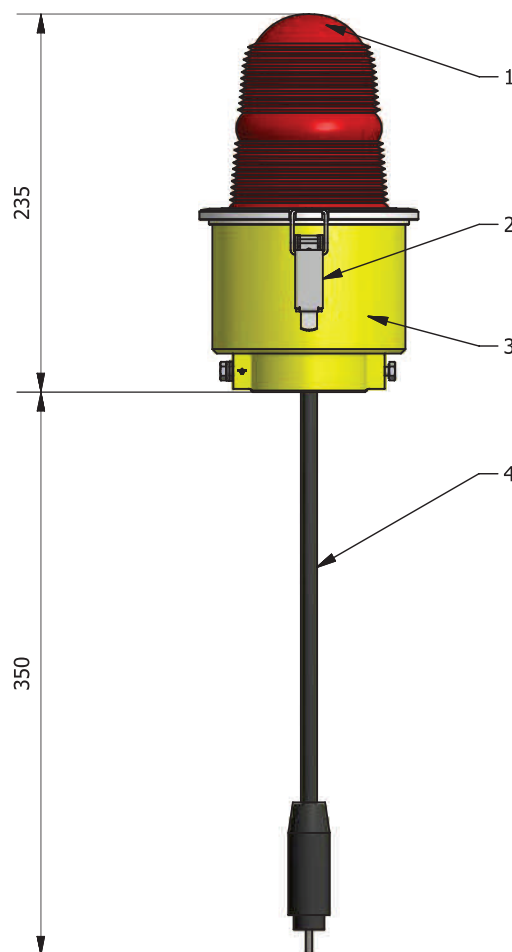
- ICAO ANNEX 14 VOLUME II HELIPORTS
- FAA AC 150/5390 2A
- FAA AC 150/5345 46B
- STANAG 3316
- MAK

→Description/Properties

- light is composed of an optical system and integrated isolating transformer
- omnidirectional elevated lights low intensity
- optical system and integrated insulating transformer imbedded in aluminum case form one unit
- lights are made of castings and formed pieces of aluminium alloys, a glass formed piece and connecting stainless steel parts that are resistant to salty environment and UV radiation
- support is an aluminium casting to which the marker is fixed
- support serves for fixing light in the fixing elements
- the colour dioptrics are made of glass resistant to thermal shocks.
- glass dioptrics is embedded in an aluminium circular ring and this whole unit is tightened with two stainless steel strips to the aluminium casing

→Construction

- 1** Dioptrics with sealed annular ring
- 2** Stainless steel strips
- 3** Transformer aluminium cover
- 4** Secondary outlet with connector FAA-L-823 style 1



chapter:

5.8.1 ML 121 HP-O



→ Connection / supplying

- powered from the 230 V AC \pm 5 %.
- the secondary inlet with connectors FAA-L-823 style 1 is led to the lamp cap prism Pk 30d

→ Mechanical parameters

- weight \sim 4,2 kg
- size
 - height 243 ± 1 mm
 - diameter 140 ± 1 mm
- adjustability
 - horizontal $0^\circ \div 360^\circ$
 - vertical 0°

→ Electrical parameters

- resistance of isolation 50 M Ω /1000 V DC
- total power \pm 10% 45 VA
- electric strength 2,5 kV/50 Hz/1 min./NN/VN

→ Operating conditions

- protection IP 65
- climatic conditions \pm 55 $^\circ$ C
- breaking moment of the coupling 580 \pm Nm
- resistance to wind and exhaust fumes up to 240 km/h
- lights are made of materials resistant to UV radiation
- source of light halogen airport bulb
- resists to vibrations with frequencies 20 \div 2000 Hz and acceleration 2 G

→ Source of light

- halogen airport lamps 45 W/6,6 A with cap Pk 30d
- lamp lifespan 1000 hours

→ Accessories

- breakable coupling with thread 2" NPSM type 001 056
- base plate \varnothing 12" with thread 2" NPSM for concrete type 002 660
- complete needle type 002 1x3

→ Ordering Code

- 913-069