

Application

- RCL - runway centre line light
 - * usable for LAHSO (Land and Hold Short Operations)
- RETIL - rapid exit taxiway indicator light
- TDZ - touchdown zone light
 - * usable for MALS according to the FAA AC (Medium Intensity Approach Lighting System)
- THL - Take-off hold light part of RWSL
 - * usable as RIL (Runway Intersection Lights)
 - * RWSL (Runway Status Lights)

Classification

- FAA AC 150/5345-46: Class 2, Mode 1, Style 2
- IEC TS 61827: Style 3

Accordance with

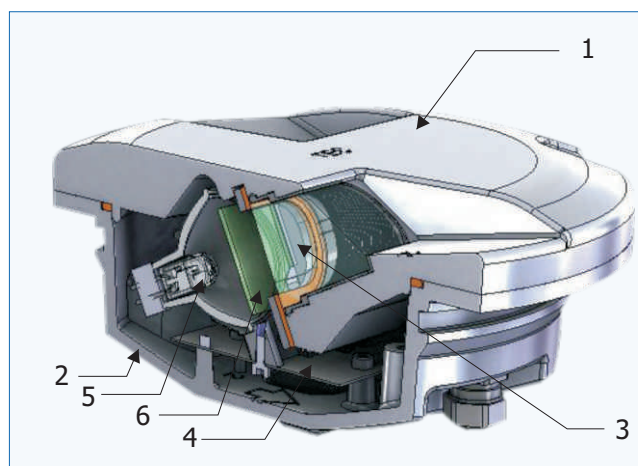
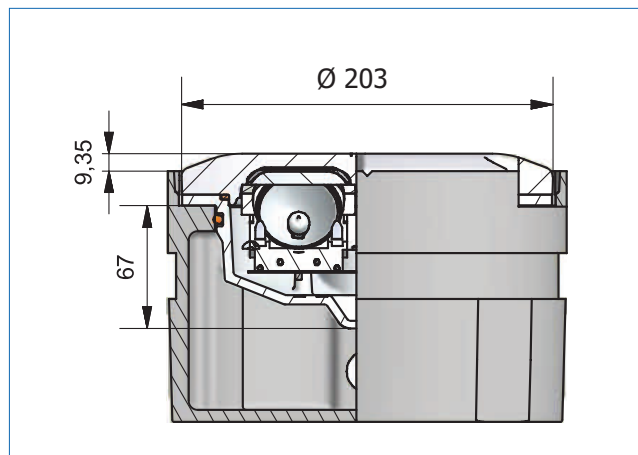
- ICAO Annex 14, Vol. 1
 - Figure: A1-1a, A2-5, A2-6, A2-7 Cat III, A2-26
- IEC TS 61827
- EASA CS-ADR-DSN
 - Figure: U-1, U-10, U-11 Cat III
- TP312
 - Figure: B-5, B-7, B-24(a)
- FAA AC 150/5345-46E*
 - L-850A, L-850B, L-850F, L-850T
 - * photometrically compatible
- АП-170, Том II

Properties

- low protrusion: 9,35 mm
- small size: diameter 203 mm (8")
- installation depth in base: 67 mm
- low energy consumption due to the optimized optical parameters
- simple and durable aluminum design
- long-term optical stability due to the usage of cold mirror reflector lamps
- non-glued easily replaceable prisms
- effective maintenance due to many common parts with TI40, TI41, TI70, TI71 and TI72 series
- easy transport and handling due to small size and weight
- available also with 4 fixing holes
- TDZ light available with or without toe-in
- optionally installable with special 8/12" adapter for additional light protection

Mechanical parameters

- weight (cardboard box) ~3,0 kg
- dimensions (cardboard box) 220×220×115 mm



Construction

1. aluminium body - top part
2. aluminium body - bottom part
3. prism with gasket (sealing)
4. lamp holder
5. cold mirror reflector lamp
6. dichroic filter

chapter:

5.2.1

TI40



→ Resistance to

- temperature -55 ÷ +55 °C and thermal shock
- humidity, snow, ice and water, watertight IP68
- salt fog, solar and UV radiation
- static and shear load, recurrent mechanical and hydraulic impact according to the IEC TS 61827
- vibrations 20 ÷ 2 000 Hz with acceleration 10/15 G

→ Light source

- standard 50 mm diameter airfield cold mirror reflector halogen 6,6 A lamp

→ Power source

- isolating transformer with 6,6 A on secondary output (transformer power according to used lamp/lamps)

Ordering code

TI401-TDZ/L-W -48 -H
TI402-RCL -WR-2×48

light fixture group

- 1 - unidirectional (RCL, RETIL, TDZ, THL)
- 2 - bidirectional (RCL)
- 3 - bidirectional, separate power leads (RCL)

light fixture function

- RCL - runway centre line
- RETIL - rapid exit taxiway indicator light
- TDZ - touchdown zone
- THL - take-off and hold light

toe-in (L/R defined for first specified color)

- /L - left toe-in
- /R - right toe-in

beam color

- R - red | W - white | Y - yellow

lamp power

- 48 - RCL unidirectional, RETIL, TDZ, THL
- 2×48 - RCL bidirectional

other specifications

* code for „other specification“ must be written in alphabetical order

H - 4 fixing holes

SPC - on-demand specification

Note:

- spaces in examples above used for clarity only
- optional parameters used only if necessary
- lamp power is optional part of ordering code

Ordering code examples :

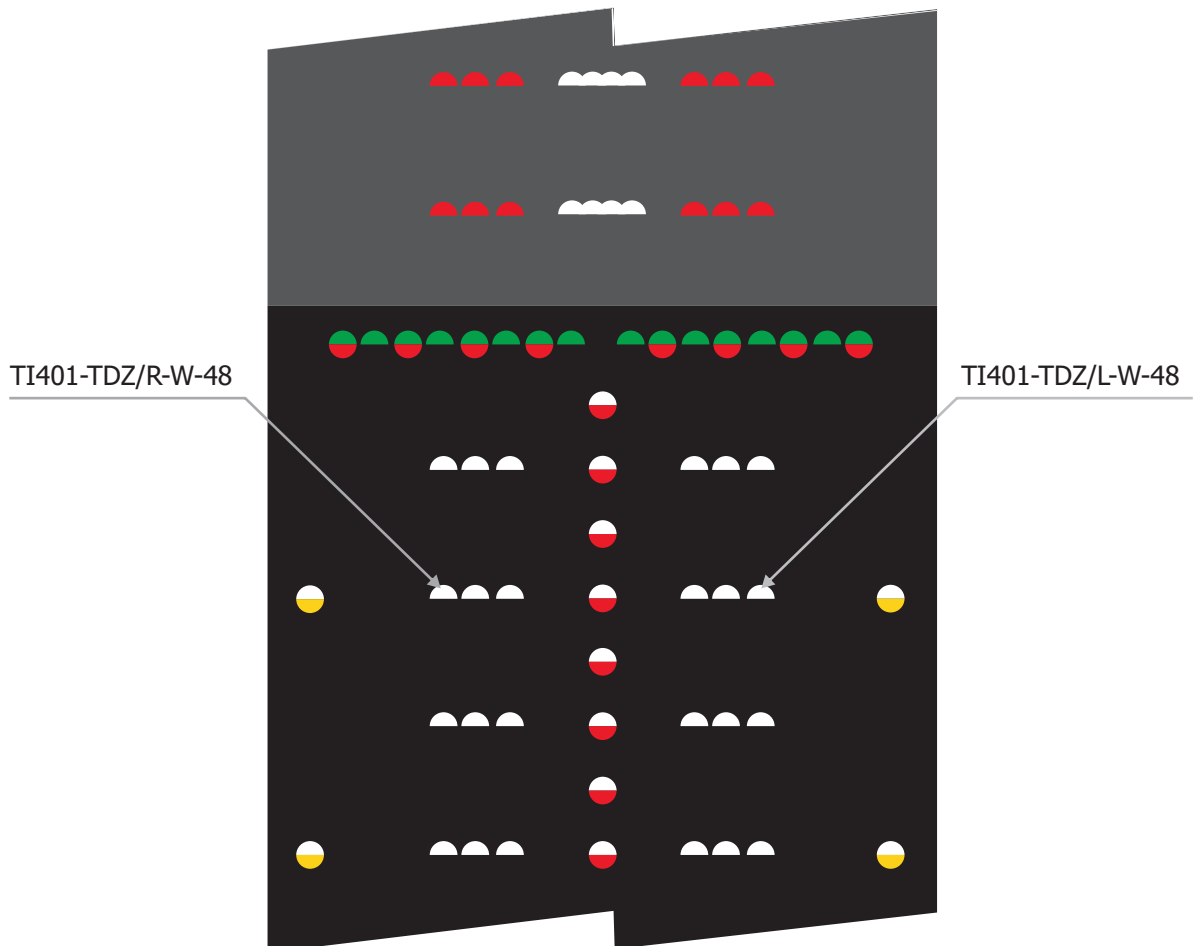
TI402-RCL-WR-H bidirectional RWY centre line light, white/red, 4 fixing holes

TI401-RETIL-Y unidirectional rapid exit taxiway indicator light, yellow

TI401-TDZ/R-W unidirectional touchdown zone light, right toe-in (in the direction of the beam), white

→ Toe-in

- applies when using shallow bases installed parallel to the RWY centerline
- when using shallow bases installed with toe-in to the RWY centerline, lights without toe-in shall be used



→ Certified types according to UCL CR

TI401-RCL-W-48
 TI402-RCL-WW-2×48
 TI403-RCL-WW-2×48
 TI401-RETIL-Y-48
 TI401-TDZ-W-48

TI401-RCL-R-48
 TI402-RCL-WR-2×48
 TI403-RCL-WR-2×48
 TI401-TDZ/L-W-48

TI401-TDZ/R-W-48

5.2.1

TI40



This page is intentionally left blank.