

### ➔Application

- RCL - runway centre line light
  - \* usable for LAHSO (Land and Hold Short Operations)
- RETIL - rapid exit taxiway indicator light
- TDZ - touchdown zone light
  - \* usable for MALS according to the FAA AC (Medium Intensity Approach Lighting System)
- THL - Take-off hold light part of RWSL
  - \* usable as RIL (Runway Intersection Lights)
  - \* RWSL (Runway Status Lights)

### ➔Classification

- FAA AC 150/5345-46: Class 2, Mode 1, Style 2
- IEC TS 61827: Style 3

### ➔Accordance with

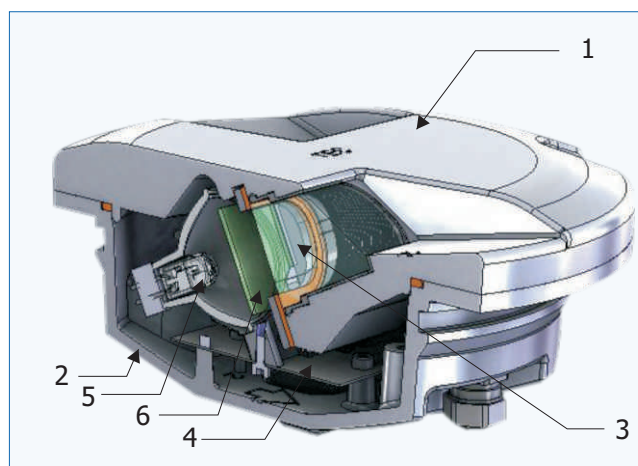
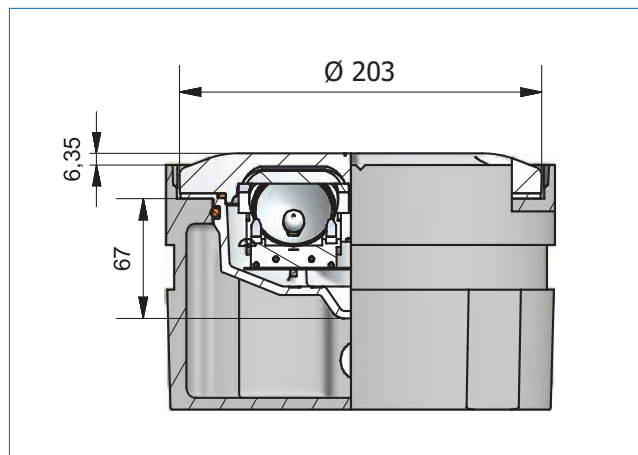
- ICAO Annex 14, Vol. 1
  - Figure: A1-1a, A2-5, A2-6, A2-7 Cat III, A2-26
- IEC TS 61827
- EASA CS-ADR-DSN
  - Figure: U-1, U-10, U-11 Cat III
- TP312
  - Figure: B-5, B-7, B-24(a)
- FAA AC 150/5345-46E\*
  - L-850A, L-850B, L-850F, L-850T
  - \* photometrically compatible
- АП-170, Том II

### ➔Properties

- low protrusion: 6,35 mm
- small size: diameter 203 mm (8")
- installation depth in base: 67 mm
- low energy consumption due to the optimized optical parameters
- simple and durable aluminum design
- long-term optical stability due to the usage of cold mirror reflector lamps
- non-glued easily replaceable prisms
- effective maintenance due to many common parts with TI40, TI41, TI70, TI71 and TI72 series
- easy transport and handling due to small size and weight
- available also with 4 fixing holes
- TDZ light available with or without toe-in
- optionally installable with special 8/12" adapter for additional light protection

### ➔Mechanical parameters

- weight (cardboard box) ~3,0 kg
- dimensions (cardboard box) 220×220×115 mm



### ➔Construction

1. aluminium body - top part
2. aluminium body - bottom part
3. prism with gasket (sealing)
4. lamp holder
5. cold mirror reflector lamp
6. dichroic filter

chapter:

## 5.2.2

## TI41



### → Resistance to

- temperature  $-55 \div +55$  °C and thermal shock
- humidity, snow, ice and water, watertight IP68
- salt fog, solar and UV radiation
- static and shear load, recurrent mechanical and hydraulic impact according to the IEC TS 61827
- vibrations  $20 \div 2\,000$  Hz with acceleration 10/15 G

### → Light source

- standard 50 mm diameter airfield cold mirror reflector halogen 6,6 A lamp

### → Power source

- isolating transformer with 6,6 A on secondary output (transformer power according to used lamp/lamps)

### Ordering code

TI411-TDZ/L-W -105 -H  
TI412-RCL -WR-2×105

#### light fixture group

- 1 - unidirectional (RCL, RETIL, TDZ, THL)
- 2 - bidirectional (RCL)
- 3 - bidirectional, separate power leads (RCL)

#### light fixture function

- RCL - runway centre line
- RETIL - rapid exit taxiway indicator light
- TDZ - touchdown zone
- THL - take-off and hold light

#### toe-in (L/R defined for first specified color)

- /L - left toe-in
- /R - right toe-in

#### beam color

- R - red | W - white | Y - yellow

#### lamp power

- 105 - RCL unidirectional, RETIL, TDZ, THL
- 2×105 - RCL bidirectional

#### other specifications

\* code for „other specification“ must be written in alphabetical order

H - 4 fixing holes

SPC - on-demand specification

### Note:

- spaces in examples above used for clarity only
- optional parameters used only if necessary
- lamp power is optional part of ordering code

### Ordering code examples :

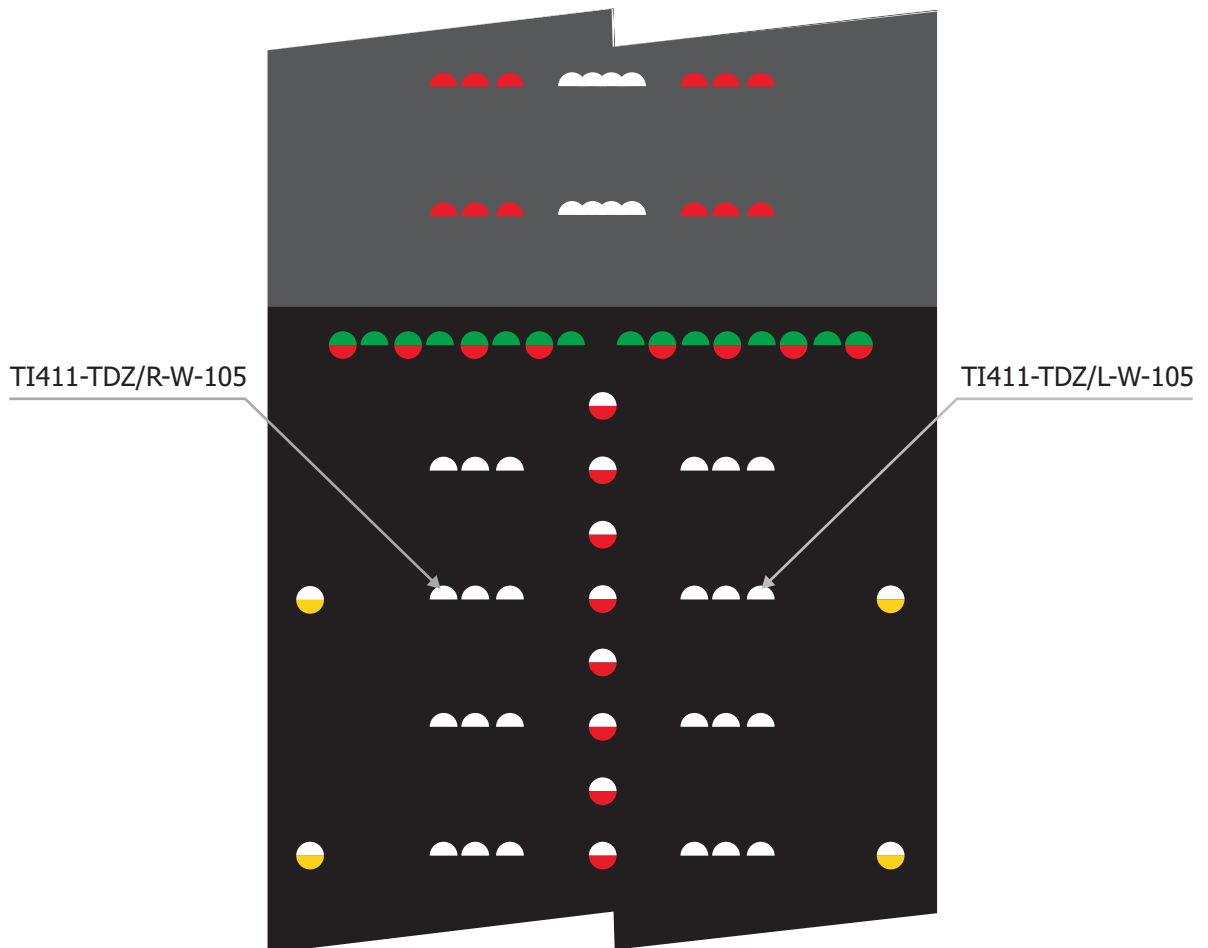
**TI412-RCL-WR-H** bidirectional RWY centre line light, white/red, 4 fixing holes

**TI411-RETIL-Y** unidirectional rapid exit taxiway indicator light, yellow

**TI411-TDZ/R-W** unidirectional touchdown zone light, right toe-in (in the direction of the beam), white

### ➔ Toe-in

- applies when using shallow bases installed parallel to the RWY centerline
- when using shallow bases installed with toe-in to the RWY centerline, lights without toe-in shall be used



### ➔ Certified types according to UCL CR

TI411-RCL-W-105  
 TI412-RCL-WW-2×105  
 TI413-RCL-WW-2×105  
 TI411-RETIL-Y-105  
 TI411-TDZ-W-105

TI4111-RCL-R-105  
 TI412-RCL-WR-2×105  
 TI413-RCL-WR-2×105

TI411-TDZ/L-W-105

TI411-TDZ/R-W-105

chapter:

**5.2.2****TI41**

This page is intentionally left blank.