

### ➔ Application

- precision approach path indicator system units (lights) for airports and heliports PAPI/APAPI

### ➔ Classification

- FAA AC 150/5345-28: Style B, Class II

### ➔ Accordance with

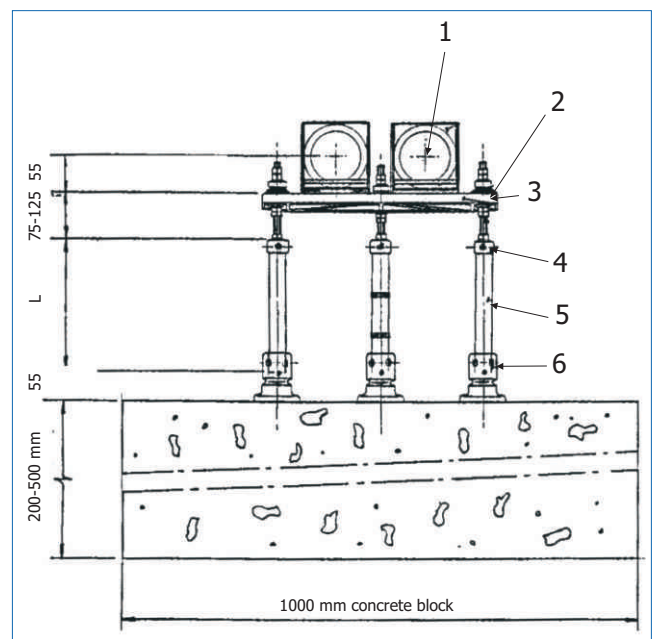
- ICAO Annex 14, Vol. 1, App. 1, 2.1.1 (Figure A1-1a)
- ICAO Annex 14, Vol. 1, App. 2, Figure A2-23
- EASA CS ADR-DSN.U.930, Figure U-1
- EASA CS ADR-DSN.U.940, Figure U-26

### ➔ Description/properties

- light consists of two projector units
- easy maintenance thanks to removable projector units
- dichroic filters with high transmissivity and heat resistance
- replacing the bulb and the filter does not require adjustment or special tools
- projector unit cover made of aluminum alloy and painted (yellow)
- body of the projector unit made of aluminum alloy and anodised (black)
- the base plate (for projector units) made of an anodized aluminum casting (black)
- elements for adjusting the horizontal and vertical direction of the light are made of aluminum, stainless steel and UV-stable plastic parts
- fixed mounting on a concrete foundation using three stakes/tubes and breakable couplings
- optional additional kit for mobile use

### ➔ Mechanical parameters

- weight ~10 kg
- dimensions 450×165×610 mm



### ➔ Construction

1. projector unit TP-90.PU
2. elements of the vertical direction of the radiation (continuously 0° to +10°)
3. base plate
4. elements of the horizontal direction of the radiation (continuously ±1°)
5. stakes/tubes
6. breakable couplings

chapter:

# 5.5.1

# TP90



## ➔ Resistance to

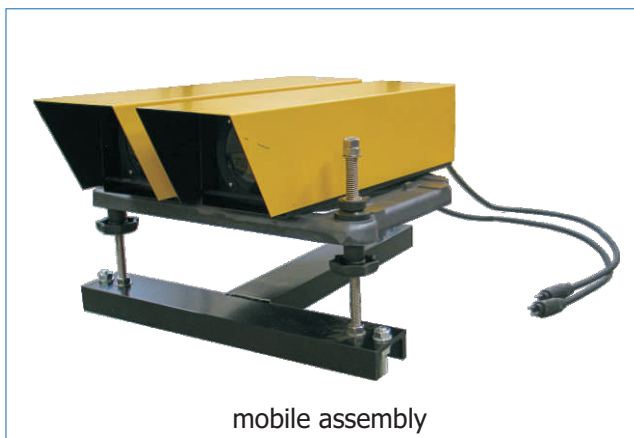
- temperature  $-55 \div +55$  °C and thermal shock
- humidity, snow and water / IP44
- salt fog, solar and UV radiation
- wind resistance up to 480 km/h

## ➔ Source of light

- halogen airport lamp Pk30d 6,6 A
  - 200 W PAPI
  - 100 W APAPI

## ➔ Power source

- isolating transformer with 6,6 A on secondary output (transformer power according to the used lamps)



## ➔ Electrical parameters

- lights
  - PAPI 2×200 W
  - APAPI 2×100 W
- bars
  - PAPI 4× 2×200 W
  - APAPI 2× 2×100 W

## ➔ Ordering codes

- Lights
  - TP90-PAPI 913-810
  - TP90-APAPI 913-810.APAPI
- Accessories
  - inclinometer TP90.CM 913-814