

Application

- halogen 230 V elevated omnidirectional light for stationary/mobile heliports
 - HAPP heliport approach steady burning light
 - FATO final approach and take-off area light
 - TLOF touchdown and lift-off area light
 - TWY taxiway edge light

Certificate basis

- ICAO-AERODROMES-ANNEX 14 Volume II-HELIPORTS-2nd
- ICAO-AERODROMES-ANNEX 14 Volume I-4rd
- FAA AC 150/5390-2A Heliports design 1/20/94
- FAA AC 150/5345-46 C

Description/properties

- lights is composed of an optical system, power cable, the aluminium cover and support of the light for connect to carrying tube
- primary outlets wires are located in the bottom section of the aluminium cover inside the light base plate which is part of the light and allowing to be disconnected in the event of a collision with an aircraft or a vehicle
- lights are made of castings and formed pieces of aluminium alloys, a glass formed piece and connecting stainless steel parts that are resistant to salty environment and UV radiation
- support is an aluminium casting to which the marker is fixed
- support serves for fixing light in the fixing elements
- the colour dioptrics are made of glass resistant to thermal shocks.
- glass dioptrics is embedded in an aluminium circular ring and this whole unit is tightened with two stainless steel strips to the aluminium casing

Construction

- 1 Dioptrics with sealed annular ring
- 2 Stainless steel strips
- 3 Support of the light
- 4 Inlet with connector FAA-L-823 style 1
- 5 Outlet with connector FAA-L-823 style 7



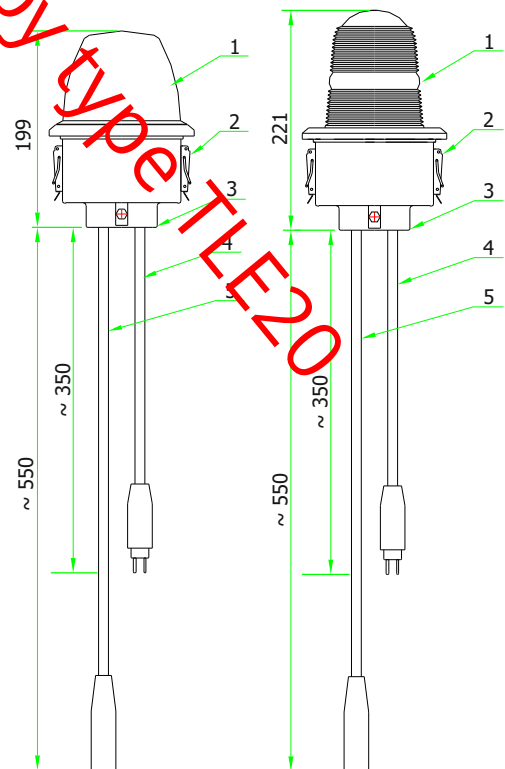
ML 124-FATO

ML 124-TLOF



ML 124-HAPP

ML 124-TWY



TLOF, FATO, TWY

HAPP

chapter:

5.1.3

ML 124

**Connection / supplying**

- parallel 230 V ~ (50/60 Hz) power distribution system from the feeder switchboard TRP.1.x
- three levels of intensity 10, 30, 100 %
- two cables H07RN-F 2x2,5 with connectors FAA-L-823
- lights are mounted on support tube 60 mm in diameter

Mechanical parameters

- mass ~1,7 kg
- size APP
 - height 221 ±1 mm
 - diameter 136 ±1 mm
- size TLOF, FATO, TWY
 - height 199 ±1 mm
 - diameter 147 ±1 mm
- adjustability
 - horizontal 0°÷360°
 - vertical 0°

Electrical parameters

- total power ±10 % by variant 53/70/105 VA

Operating conditions

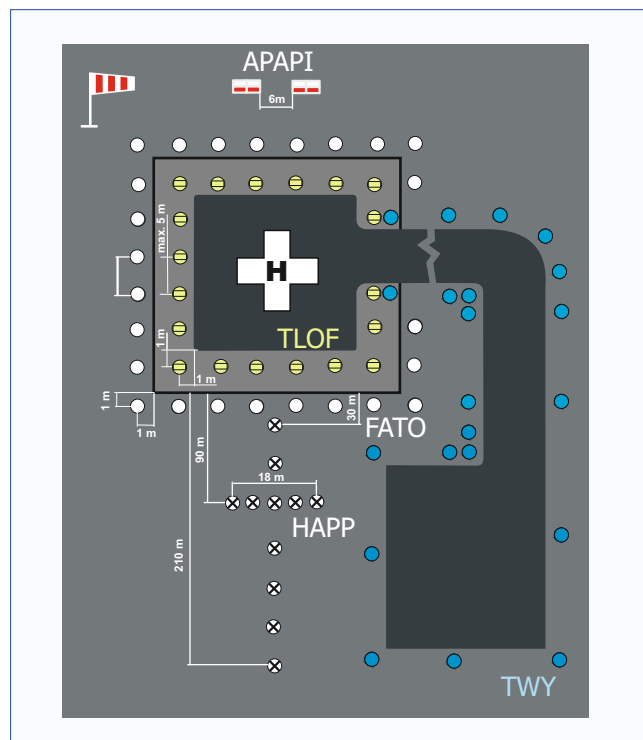
- protection IP 65
- climatic conditions ±55 °C
- resistance to wind and exhaust fumes up to 240 km/hour

Source of light

- lamp 230 V with screw caps E27
- lamp lifespan 1000 hours

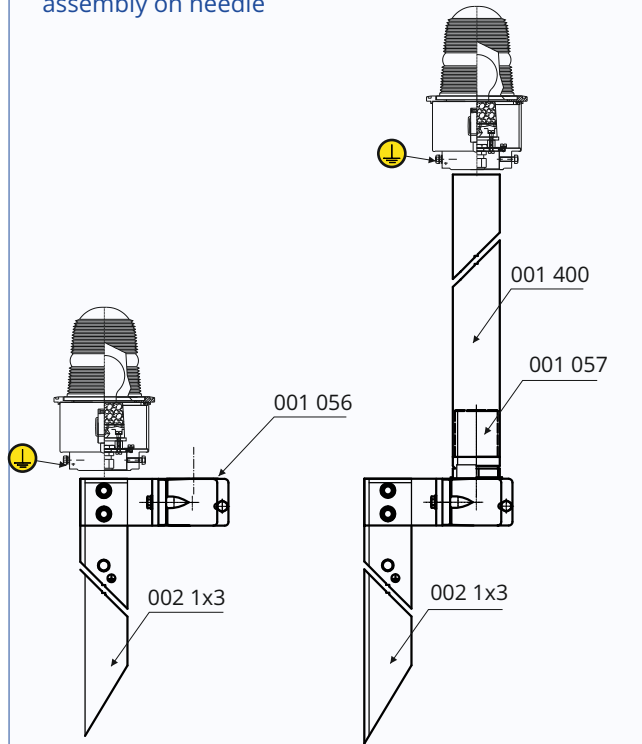
Accessories

- accessories must be ordered separately, for details see also section «fixing elements»

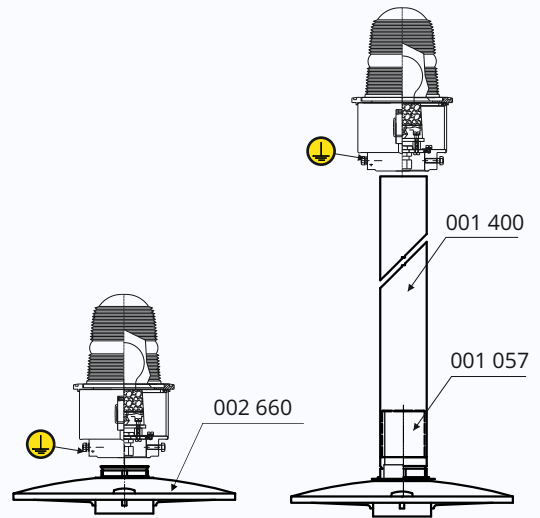
**Ordering codes / application**

type	el. power [W]	color	application	code
ML 124-HAPP-105-W	105	white	final approach and take-off area light	913-914
ML 124-TLOF-70-G	70	green	touchdown and lift-off area light	913-916
ML 124-FATO-70-W	70	white	heliport approach steady burning light	913-915
ML 124-TWY-52-B	53	blue	taxiway edge light	913-917

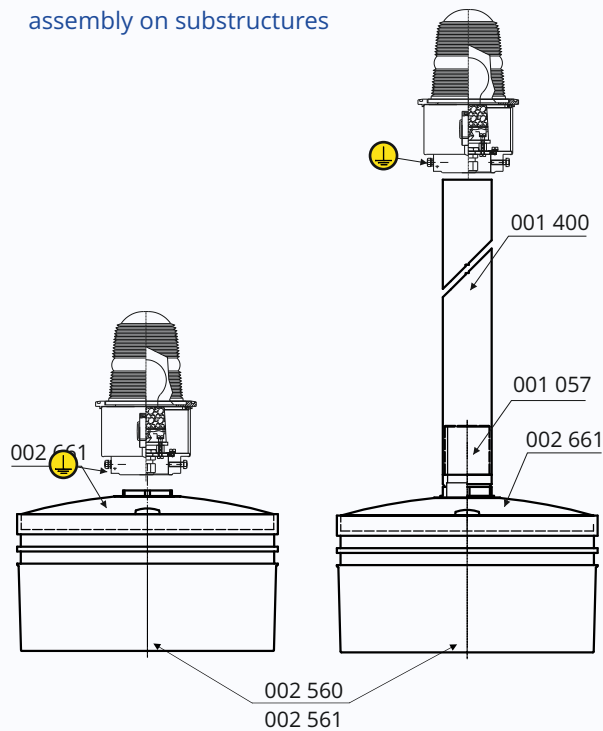
ML 124
HAPP
assembly on needle



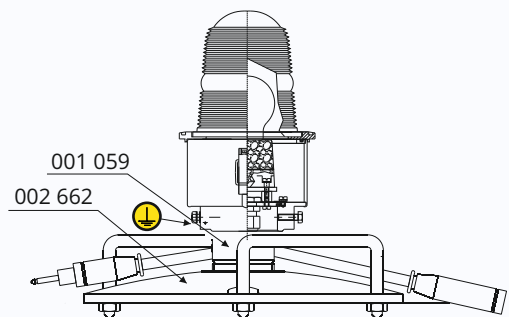
ML 124
HAPP
assembly on base plate



ML 124
HAPP
assembly on substructures



ML 124
HAPP
mobile assembly



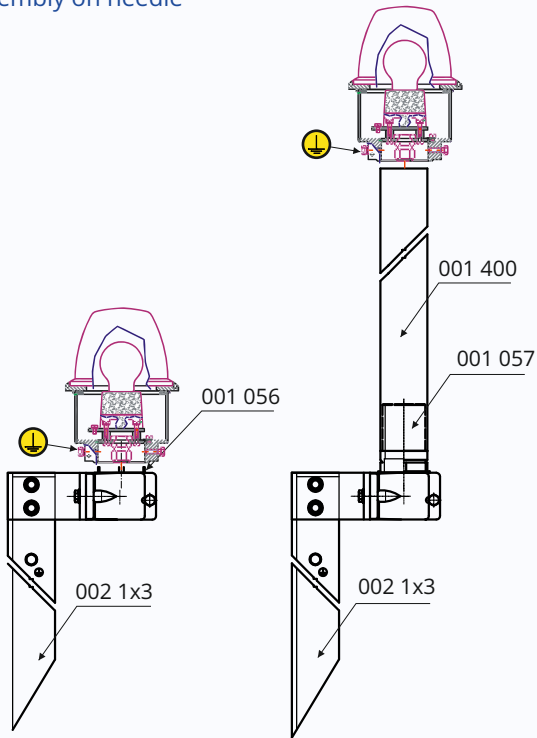
chapter:

5.1.3

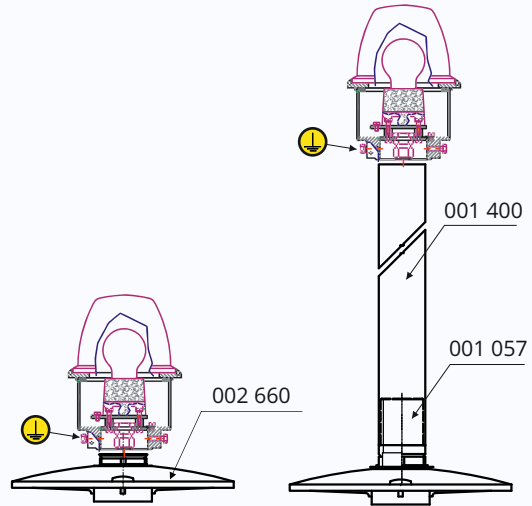
ML 124



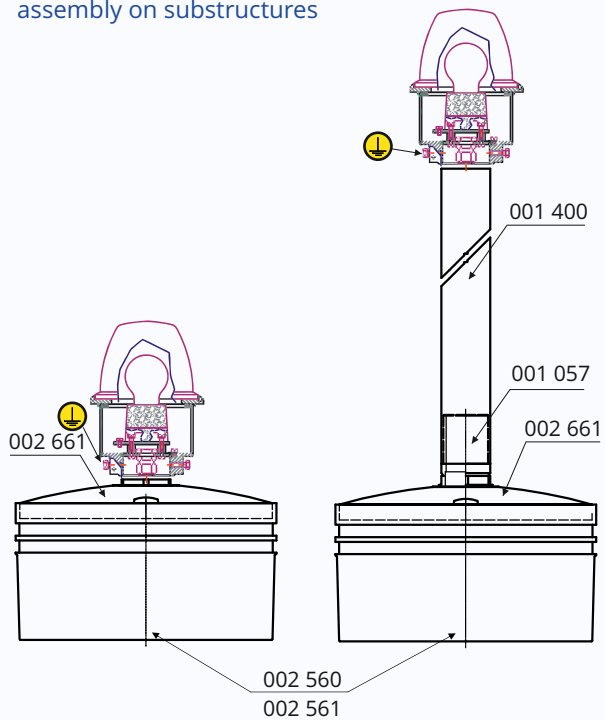
ML 124
TLOF, FATO, TWY
assembly on needle



ML 124
TLOF, FATO, TWY
assembly on base plate



ML 124
TLOF, FATO, TWY
assembly on substructures



ML 124
TLOF, FATO, TWY
mobile assembly

