

➔ Application

- TIA1-F standard 8/12" adapter
- TIA1-S adapter 8/12" for RWY and TWY-straight section lights
- TIA1-C adapter 8/12" for TWY-curved section lights

➔ Accordance with

- ICAO Annex 14, Vol. 1
- IEC TS 61827
- EASA CS-ADR-DSN

➔ Properties

- protrusion:
 - TIA1-F 0,0 mm
 - TIA1-S/C 6,35 mm
- size:
 - outer diameter 304,0 mm (12")
 - inner diameter 204,0 mm (8")
- simple and durable aluminum design
- type F adapters are primary designed for omnidirectional lights, however can be used for any type of 8" lights
- type S/C adapters are designed to improve the mechanical protection of lights without influencing light output
 - TIA1-S are compatible with all lights from TI40, TI41 and TI44 series
 - TIA1-C are compatible with all lights from TI45 series

➔ Mechanical parameters

- weight (cardboard box) ~3,8 kg
- dimesions (cardboard box) 325×325×80 mm

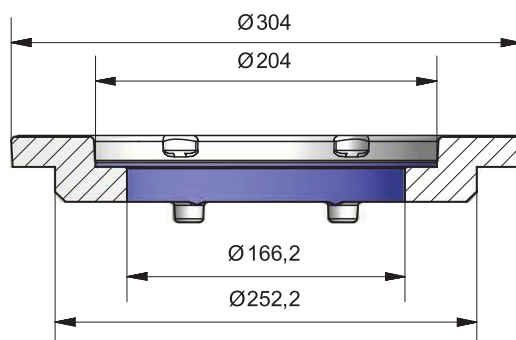
TIA1-F



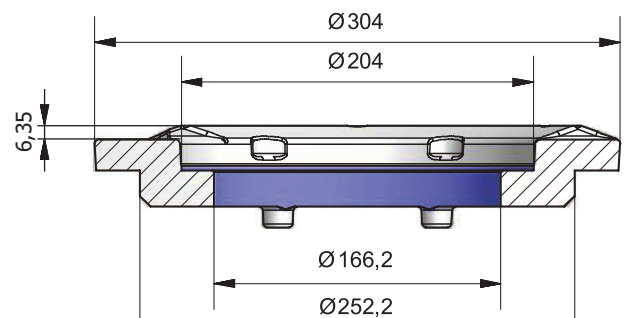
TIA1-S



TIA1-C



TIA1-F



TIA1-S (dimensions also valid for TIA1-C)

chapter:

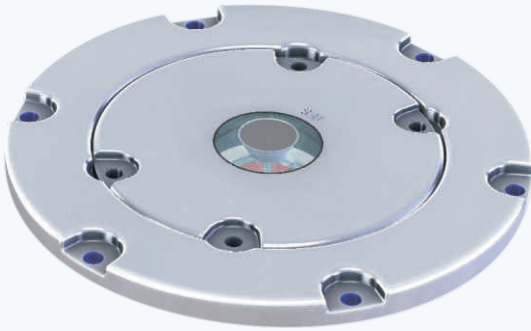
5.10.8

TIA1



Usage examples

TIA1-F + TI42



TIA1-S + TI40



TIA1-S + TI41



TIA1-S + TI44



TIA1-C + TI45



Ordering code

adapter group

F - standard adapter

S - adapter for RWY and TWY-straight lights

C - adapter for TWY-curved lights

other specifications

* code for "other specification" must be written in alphabetical order

SPC - on-demand specification

TIA1-F-SPC