

→Application

- remote monitoring and control of various technological equipment (regulators, distributors, UPS, diesel generator sets, power equipment, etc.) with use of data transfer system DAP 128TC

→Description/Properties

- one or two 19" modules
- VP-02-2 are the basis
- max. 10 or 20 input/output modules RT-24
- feeding by AC mains voltage backed by internal battery, or by DC voltage
- comprises over-voltage protection of communication and power supply source
- bottom part of the rack can contain other equipment according to the customer's requirements

**→Basic units of the rack SU-24B.RT****Module VP-02-2**

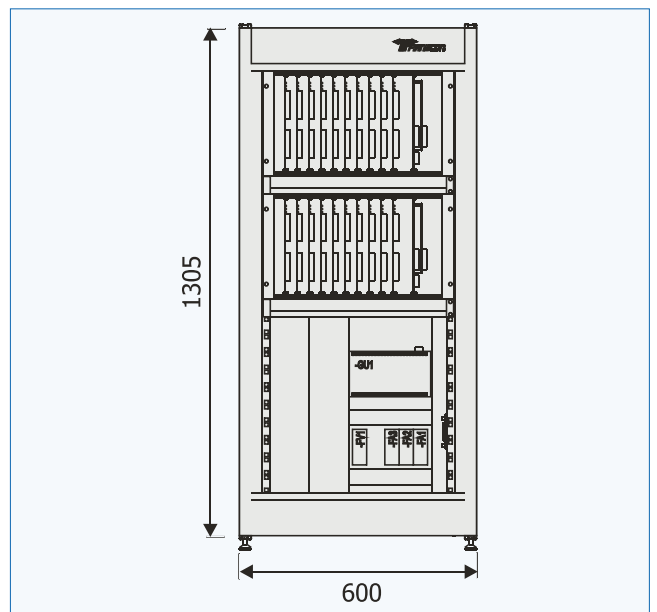
- basic 19" module into the rack SU-24B.RT
- 1 position for the module ZD-RT24
- 10 positions for the modules RT-24
- distributes supply voltage and data transfer lines to modules

Module ZD-RT24

- power supply source for the module VP-02-2.
- feeds the modules RT-24
- monitors supply voltage and failure states of the main power supply source
- enables simple checking of data on data transfer line

Module RT-24

- universal input-output module of the data transfer system DAP 128TC
- it is connected to the data transfer line of the system DAP 128TC
- 14 galvanically separated inputs 12–48 VDC
- 7 galvanically separated contact outputs 0,2 A/60 VDC/48 VAC
- galvanically separated data transfer line
- it receives commands from the central unit and converts them to 7 outputs
- monitors state of its 14 inputs and then transmits them as data to central unit
- two connectors D-Sub-37 with inputs and outputs
- each module has its own address that can be set by configuration jumpers
- installation into 19" module VP-02-2

**SU-24B.RT - GENERAL DATA**

maximum number of basic modules VP-02-2	2
maximum number of installed modules RT-24	20 (2x10)
maximum number of inputs on modules RT-24	280 (2x10x14)
maximum number of outputs on modules RT-24	140 (2x10x7)

SU-24B.RT - MECHANICAL PARAMETERS:

mechanical dimensions of the rack	600x1305x450 mm
weight of the rack SU-24B.RT	80 kg
range of working temperatures	-5/+40 °C
range of storage temperatures	-20/+55 °C
protection	IP 20
cable entry	down
color gray / dark gray	RAL 7035/RAL 7030

SU-24B.RT - ELECTRICAL PARAMETERS:

	SU-24B.RT1	SU-24B.RT2
supply voltage	93-132 V/187-264 V/47-63 Hz	24 VDC (12, 48 VDC optional)
maximum/typical input power	600 VA/100 VA	75 W/30 W
backup power supply source	accumulator 2x12 V/8 Ah	external
duration of operation with use of accumulator from the moment of power failure from mains	90 minutes	external

chapter:

2.4.5

SU-24B.RT



SU-24B.RT - block diagram

